

Axial Power Inductors - AS1124U SERIES



PART NUMBERING SYSTEM

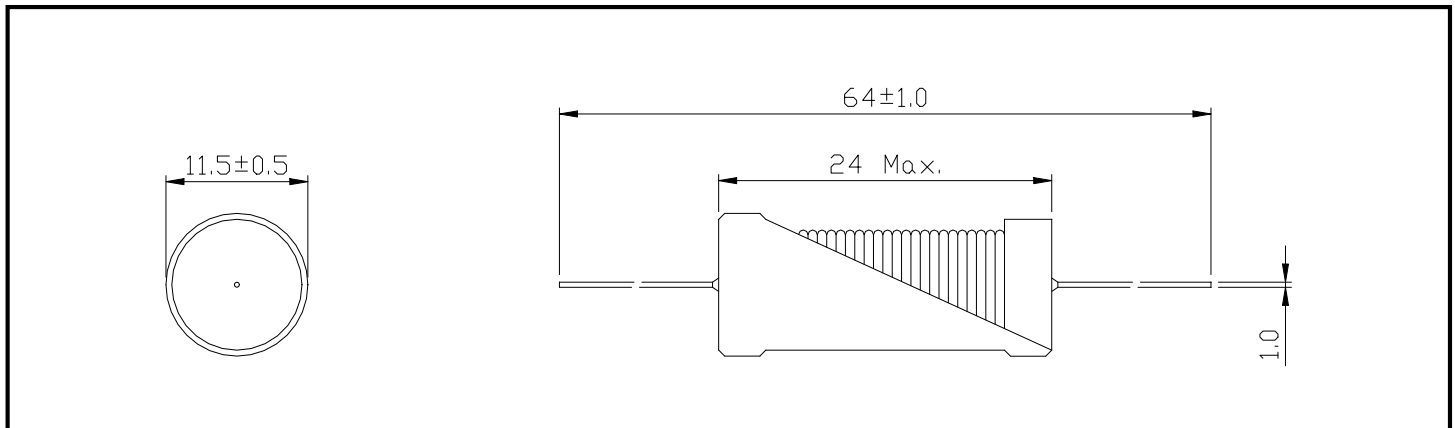
AS	1124U	—	331K	—	LF
TYPE	DIMENSIONS		INDUCTANCE		LEAD FREE

U : UL Tube

P : PVC Tube

SHAPES AND DIMENSIONS

UNIT : mm



STRUCTURAL DIAGRAM :

COMPONENT	MATERIALS
1.Core	Ferrite core
2.Wire	Polyurethane enameled copper wires
3.Lead wire	Tinned copper wires
4.Tube	Heat shrinkable tube, PVC or UL
5.Glue	Epoxy resin



Axial Power Inductors - AS1124U SERIES



SPECIFICATION TABLE

PART NUMBER	INDUCTANCE (μ H)(at 1KHz)	DCR (Ω) (max)	Rated Current (A)	
			Δ L/L=-10%(max)	Δ T=40°C(max)
AS1124-100K-LF	10 \pm 10%	0.025	8.00	5.80
AS1124-120K-LF	12 \pm 10%	0.028	7.50	5.40
AS1124-150K-LF	15 \pm 10%	0.032	6.80	5.20
AS1124-180K-LF	18 \pm 10%	0.035	6.30	5.00
AS1124-220K-LF	22 \pm 10%	0.040	5.60	4.30
AS1124-270K-LF	27 \pm 10%	0.048	5.00	4.00
AS1124-330K-LF	33 \pm 10%	0.055	4.50	3.80
AS1124-390K-LF	39 \pm 10%	0.060	4.30	3.50
AS1124-470K-LF	47 \pm 10%	0.075	3.80	2.80
AS1124-560K-LF	56 \pm 10%	0.085	3.50	2.60
AS1124-680K-LF	68 \pm 10%	0.095	3.10	2.50
AS1124-820K-LF	82 \pm 10%	0.10	2.85	2.40
AS1124-101K-LF	100 \pm 10%	0.13	2.60	2.20
AS1124-121K-LF	120 \pm 10%	0.16	2.30	2.00
AS1124-151K-LF	150 \pm 10%	0.17	2.15	1.80
AS1124-181K-LF	180 \pm 10%	0.19	2.00	1.70
AS1124-221K-LF	220 \pm 10%	0.25	1.85	1.60
AS1124-271K-LF	270 \pm 10%	0.28	1.60	1.50
AS1124-331K-LF	330 \pm 10%	0.32	1.45	1.40
AS1124-391K-LF	390 \pm 10%	0.36	1.35	1.30
AS1124-471K-LF	470 \pm 10%	0.48	1.20	1.10
AS1124-561K-LF	560 \pm 10%	0.53	1.10	1.00
AS1124-681K-LF	680 \pm 10%	0.60	1.05	0.95
AS1124-821K-LF	820 \pm 10%	0.80	0.95	0.88



Axial Power Inductors - AS1124U SERIES



SPECIFICATION TABLE

PART NUMBER	INDUCTANCE (μ H)	DCR (Ω) (max)	Rated Current (A)	
			$\Delta L/L=-10\%$ (max)	$\Delta T=40^\circ\text{C}$ (max)
AS1124-102K-LF	1000 \pm 10%	0.90	0.85	0.80
AS1124-122K-LF	1200 \pm 10%	1.20	0.75	0.70
AS1124-152K-LF	1500 \pm 10%	1.40	0.70	0.64
AS1124-182K-LF	1800 \pm 10%	1.80	0.65	0.58
AS1124-222K-LF	2200 \pm 10%	2.05	0.58	0.54
AS1124-272K-LF	2700 \pm 10%	2.60	0.52	0.47
AS1124-332K-LF	3300 \pm 10%	2.95	0.46	0.45
AS1124-392K-LF	3900 \pm 10%	3.60	0.42	0.40
AS1124-472K-LF	4700 \pm 10%	4.10	0.38	0.37
AS1124-562K-LF	5600 \pm 10%	5.10	0.34	0.33
AS1124-682K-LF	6800 \pm 10%	5.90	0.30	0.30
AS1124-822K-LF	8200 \pm 10%	7.50	0.26	0.27
AS1124-103K-LF	10000 \pm 10%	9.50	0.24	0.24